

ASSEMBLY INSTRUCTIONS

Description: Arcadia Accent Bench







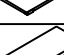
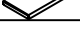
Important safety instructions:

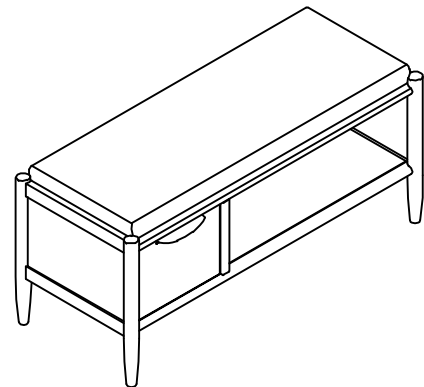
- Please read carefully all instructions before assembly.
- For your safety and ease, assembly by two or more adults is recommended.
- Keep instructions for future use.

Pre-assembly:

- Do not discard any content until assembly is complete to avoid accidentally discarding small parts or hardware.
- Take out all parts and hardware from box.





Parts List

Item	Description	QTY
P1	Seat Panel  (P1)	1
P2	Left Side Assembly  (P2)	1
P3	Right Side Assembly  (P3)	1
P4	Interior Panel  (P4)	1
P5	Back Panel  (P5)	1
P6	Bottom Panel  (P6)	1
P7	Door Panel  (P7)	1
P8	Seat Cushion  (P8)	1



It will take approximately 20 minutes for two adults to assemble.

Hardware List





Item	Description	QTY
H1	Bolts $\phi 1/4$ "x 1-1/2"L 	12
H2	Lock Washers 1/4" 	12
H3	Flat Washers 1/4" 	12
H4	Allen Wrench 1/4" 	1

DISCLAIMER:

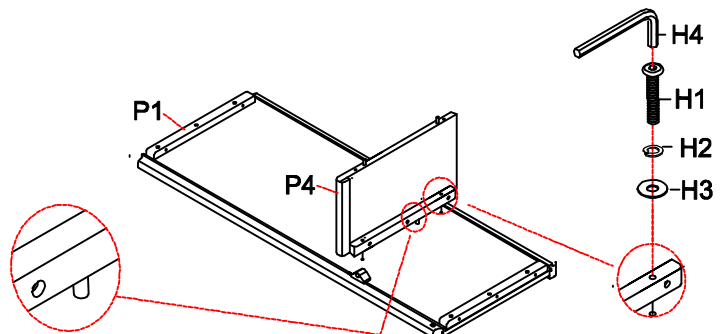
WHEN PROPERLY ASSEMBLED, THIS ITEM IS SAFE FOR INTENDED USE. SELLER IS NOT LIABLE FOR ANY DAMAGES RESULTING FROM ITEM BEING IMPROPERLY ASSEMBLED AFTER PURCHASE.

Assembly Procedures:

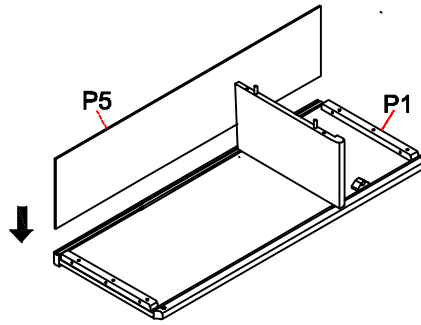
Step 1: Assemble the bench on a flat, soft surface such as a carpet or cloth to prevent scratching the finish. Loosely attach the interior panel (P4) and to the bottom of seat panel (P1) as shown .

- (H1)x2 Bolts $\phi 1/4$ "x 1-1/2"L 
- (H2)x2 Lock Washers 1/4" 
- (H3)x2 Flat Washers 1/4" 
- (H4)x1 Allen Wrench 1/4" 

pre-assembled dowel



Step 2. Insert the back panel (P5) to the bottom of seat panel (P1) as shown below.



Step 3. Insert the door panel (P7) to the bottom of seat panel (P1), then attach the bottom panel (P6) to the back panel (P5) and interior panel (P4) and door panel (P7) as shown below.

(H1)x2 Bolts $\phi 1/4$ "x 1-1/2"L



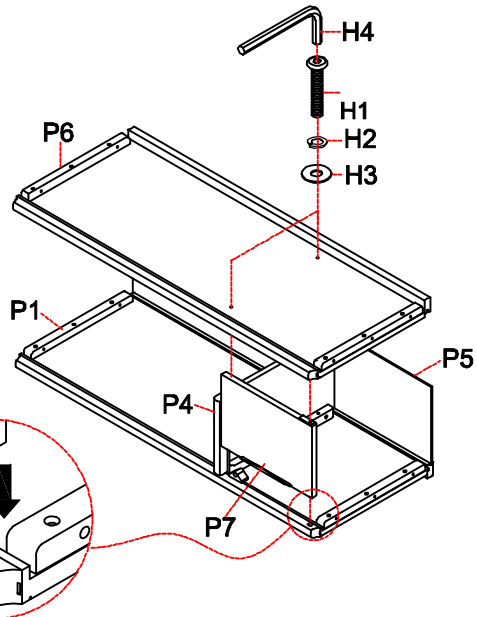
(H2)x2 Lock Washers 1/4"



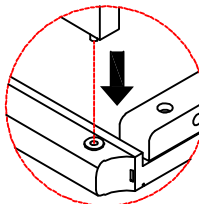
(H3)x2 Flat Washers 1/4"



(H4)x1 Allen Wrench 1/4"



Note: The Door has pre-assembled hinges and must be lined up and inserted into the hinge hole.



Step 4. Using foam block or something to supported the assembled frame, loosely attach the left side assembly (P2) and right side assembly (P3) to the assembled seat panel (P1) and bottom panel (P6) as shown below.

(H1)x8 Bolts $\phi 1/4$ "x 1-1/2"L



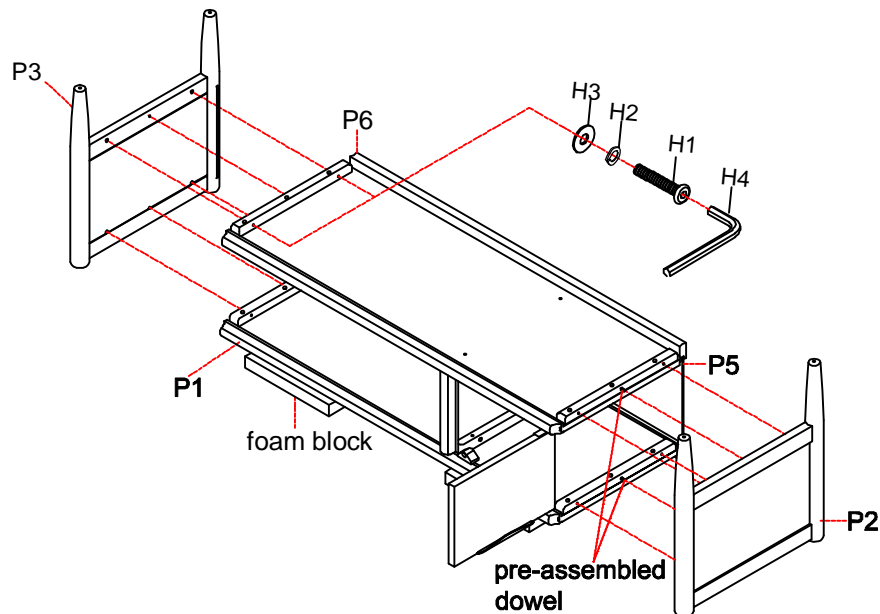
(H2)x8 Lock Washers 1/4"



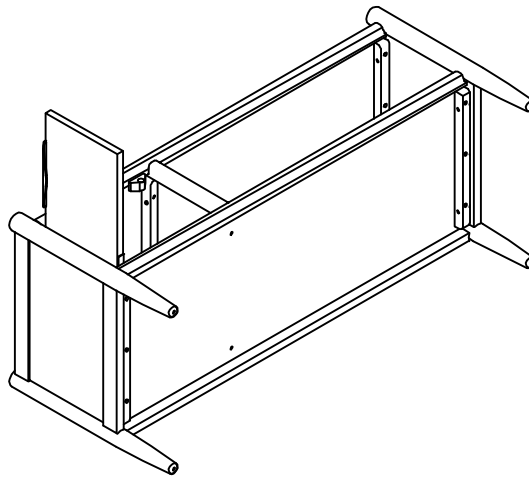
(H3)x8 Flat Washers 1/4"



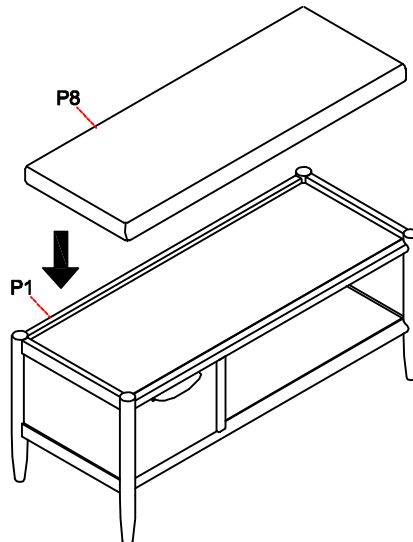
(H4)x1 Allen Wrench 1/4"



Step 5. Turn the assembled bench into a proper position, securely tighten all bolts with Allen wrench(H4).

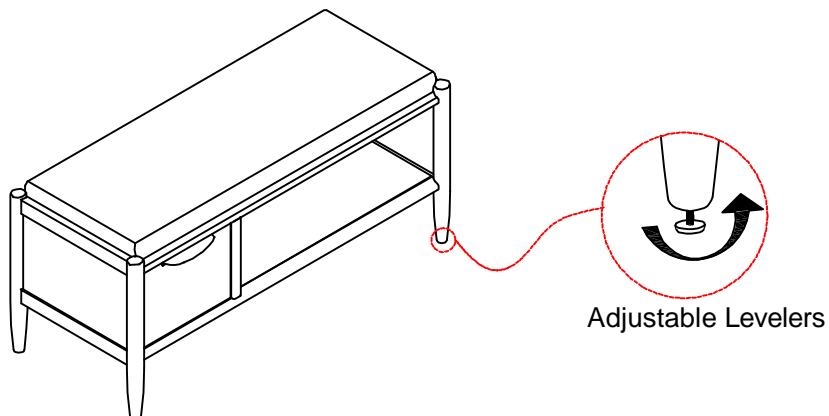


Step 6. Turn the assembled bench to an upright position, put the seat cushion (P8) to the assembled seat panel (P1) as shown below.



Step 7. Assembly is complete.

Leveler adjustment: Levelers are pre-installed on the bottom of legs. Adjust as needed to make sure the bench is leveled. **Failure to follow these instructions may cause the bolts to misalign during assembly.**



ADDITIONAL NOTE ABOUT SAFETY:
BOLTS MAY LOOSEN DURING NORMAL EVERYDAY USE.
THEY SHOULD BE INSPECTED AT LEAST EVERY 3 MONTHS AND RE-TIGHTENED AS NEEDED TO PREVENT DAMAGE OR INJURY, AND ENSURE STABILITY.
Thank you for your purchase